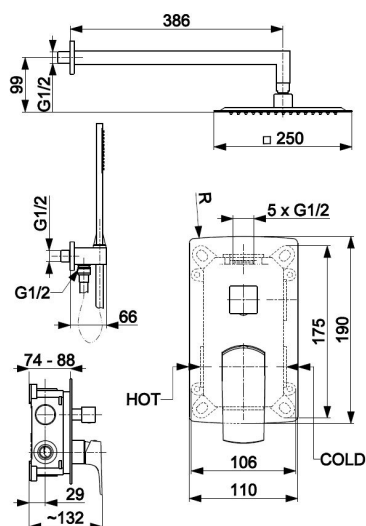


# MOKAIT

## BLACK CONCEALED SHOWER SET



### PRODUCT DESCRIPTION:

INDEX:	5539-511-81
EAN:	5907571552486
Colour:	black
PKWiU:	28.14.12-33.04.01
Type:	wall-mounted mixer
Material:	brass
Control element:	Ø35 ceramic cartridge
Shower diverter:	ceramic
Water flow [l/min]:	hand shower: 14,5/shower head:18,5
Working pressure [atm]:	3
Max water temperature [°C]:	≤90/65
Acoustic group:	II
Number of streams in the hand shower:	1
Hose length [mm]:	1500
Hose material:	PVC
Bar length [mm]:	386

### THE PACKAGING CONTAINS:

masking rosette, regulator handle, diverter handle, square shower arm (L=400 mm), square shower head (ø250 mm), concealed hand shower handle, hand shower, shower hose (L=1400 mm), blind plug

### WARRANTY:

10 years for tightness of cast parts and failure-free operation of ceramic cartridges

### CERTIFICATES AND DECLARATIONS:

The product is made according to the standard PN-EN 817/PN-EN 1112/PN-EN 1113, it has Hygienic Attestation

<b>Shower head diameter [mm]:</b>	250x250
<b>Cleaning system:</b>	easy clean