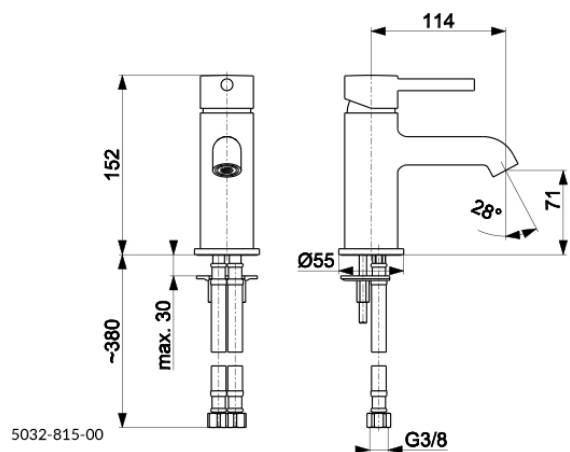


MOZA

CHROME STANDING WASHBASIN MIXER



PRODUCT DESCRIPTION:

| | |
|------------------------------------|-----------------------|
| INDEX: | 5032-815-00 |
| EAN: | 5907571500579 |
| Colour: | chrome |
| PKWiU: | 28.14.12-33.01.01 |
| Type: | standing mixer |
| Material: | brass |
| Control element: | Ø35 ceramic cartridge |
| Aerator: | Neoperl Rub Clean |
| Water flow [l/min]: | 5 |
| Working pressure [atm]: | 3 |
| Max water temperature [°C]: | ≤90/65 |
| Acoustic group: | II |
| Spout: | fixed |
| Spout length [mm]: | 114 |

THE PACKAGING CONTAINS:

small click-clack drain with overflow, mounting set with gaskets, M10x1/G3/8" flexible hoses (L=350 mm, 2 pcs)

WARRANTY:

10 years for tightness of cast parts and failure-free operation of ceramic cartridges

CERTIFICATES AND DECLARATIONS:

The product is made according to the standard PN-EN 817:2008, it has Hygienic Attestation, Declaration of Conformity