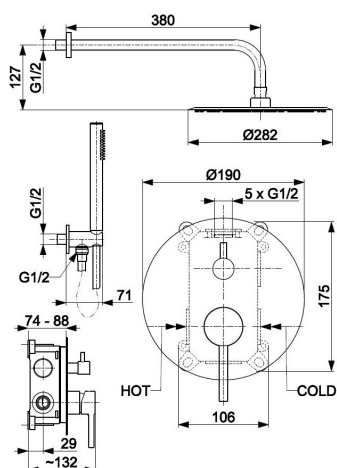


MOZA

CHROME CONCEALED SHOWER SET



PRODUCT DESCRIPTION:

INDEX:	5039-501-00
EAN:	5907571500739
Colour:	chrome
PKWiU:	28.14.12-33.04.01
Type:	wall-mounted mixer
Material:	brass
Control element:	Ø35 ceramic cartridge
Shower diverter:	ceramic
Water flow [l/min]:	hand shower: 15/shower head: 19
Working pressure [atm]:	3
Max water temperature [°C]:	≤90/65
Acoustic group:	II
Number of streams in the hand shower:	1
Hose length [mm]:	1500
Hose material:	PVC
Bar length [mm]:	380
Shower head diameter [mm]:	300

THE PACKAGING CONTAINS:

complete mixer set, shower arm, shower head, hand shower, angular wall connection, installation and user's manual, warranty

WARRANTY:

10 years for tightness of cast parts and failure-free operation of ceramic cartridges

CERTIFICATES AND DECLARATIONS:

The product is made according to the standard PN-EN 817/PN-EN 1112/PN-EN 1113, it has Hygienic Attestation, Declaration of Conformity

Cleaning system:

easy clean
