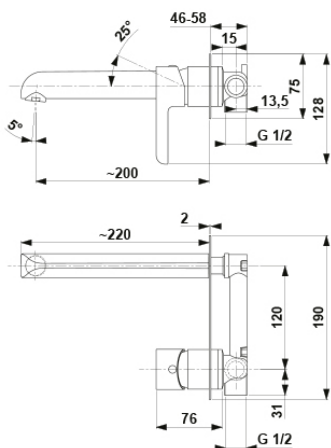


ANGELIT

CONCEALED WASHBASIN MIXER



4729-810-00



PRODUCT DESCRIPTION:

INDEX:	4729-810-40
EAN:	5907571471626
Colour:	white-chrome
PKWiU:	28.14.12-33.01.01
Type:	wall-mounted mixer
Material:	brass
Control element:	Ø40 ceramic cartridge
Aerator:	M24x1 Neoperl Honeycomb
Water flow [l/min]:	12
Working pressure [atm]:	3
Max water temperature [°C]:	≤90/65
Acoustic group:	II
Spout:	fixed
Spout length [mm]:	200

THE PACKAGING CONTAINS:

mixer set with a rosette

WARRANTY:

10 years for tightness of cast parts and failure-free operation of ceramic heads

CERTIFICATES AND DECLARATIONS:

The product is made according to the standard PN-EN 817:2008, it has Hygienic Attestation, Declaration of Conformity