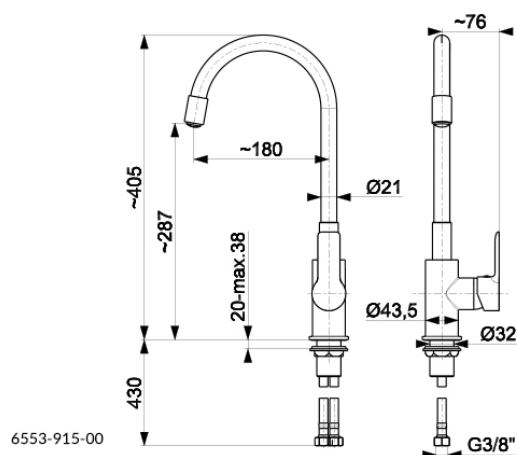


## RUMBA

SINK MIXER WITH A BEIGE SPOUT



### PRODUCT DESCRIPTION:

<b>INDEX:</b>	6553-915-51
<b>EAN:</b>	5907571650137
<b>Colour:</b>	chrome
<b>PKWiU:</b>	28.14.12-33.02.01
<b>Type:</b>	standing mixer
<b>Material:</b>	brass
<b>Control element:</b>	Ø35 ceramic cartridge
<b>Aerator:</b>	yes (coin slot)
<b>Water flow [l/min]:</b>	11
<b>Working pressure [atm]:</b>	3
<b>Max water temperature [°C]:</b>	≤90/65
<b>Acoustic group:</b>	II
<b>Spout:</b>	rotating, flexible
<b>Spout length [mm]:</b>	180

### THE PACKAGING CONTAINS:

M10x1/G3/8" flexible hoses (L=430 mm, 2 pcs), mounting set with a strengthening stand

### WARRANTY:

5 years for tightness of cast parts and failure-free operation of ceramic heads

### CERTIFICATES AND DECLARATIONS:

The product is made according to the standard PN-EN 817:2008, it has Hygienic Attestation, Declaration of Conformity