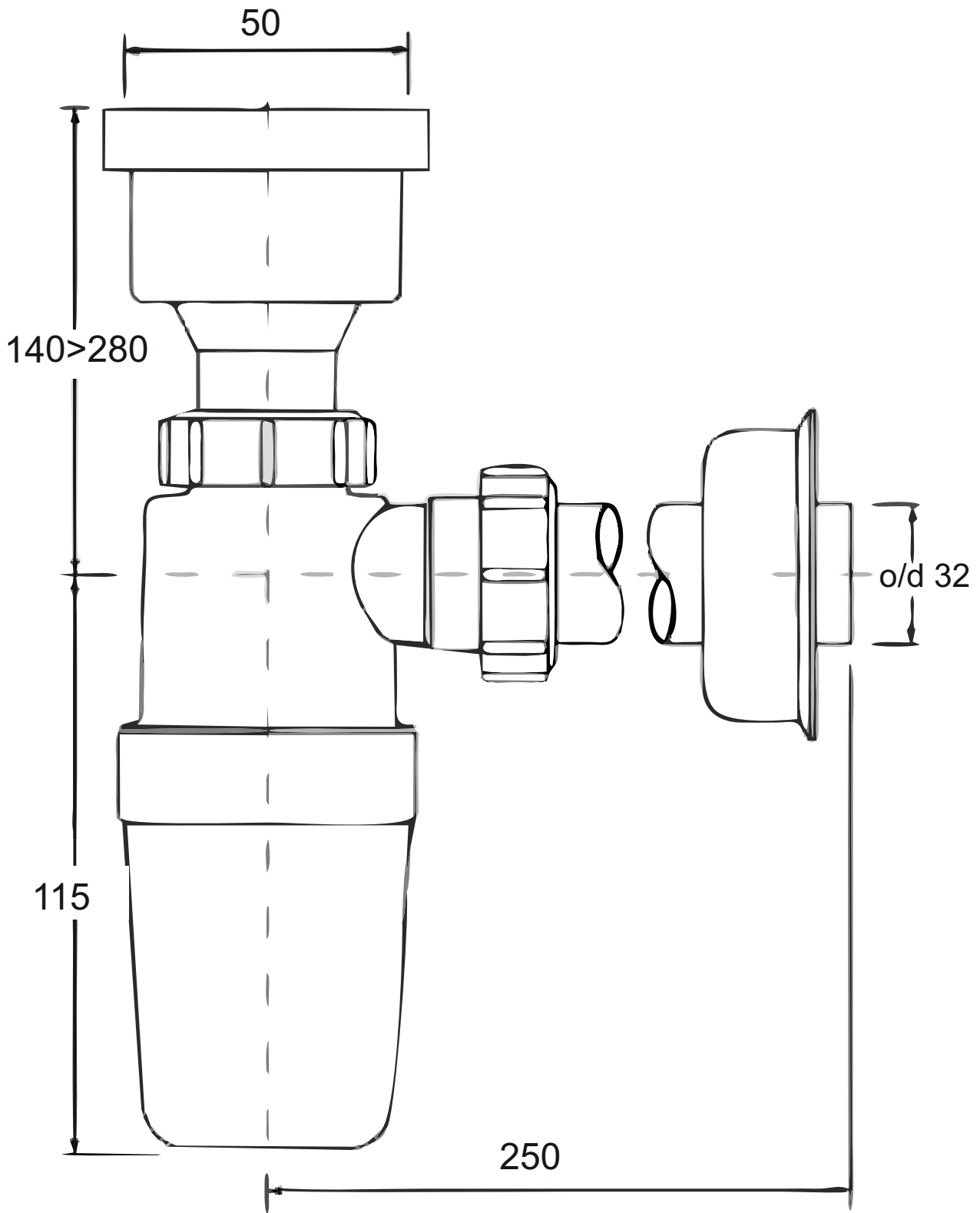


Code:

HC2P



Drawing verified correct as of:

DRAWN BY

REVISED

FILENAME HC2P

SCALE

DATE