

### Description

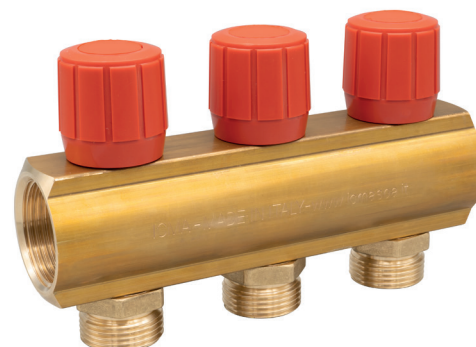
Bar distribution manifold with shut-off taps.  
Available with red and blue handles.

#### CONNECTIONS:

- Head connections 1" F.
- Output connections 3/4" Euroconus or 1/2".

#### INTERAXIS:

50 mm. between the outputs.



### Products



Article	Head connection	Outlets	Code	Connection thread
1105	1"	2	871105PG0511	3/4" EK
1105	1"	3	871105PH0511	3/4" EK
1105	1"	4	871105PJ0511	3/4" EK
1105	1"	5	871105PQ0511	3/4" EK
1105	1"	6	871105PK0511	3/4" EK
1105	1"	7	871105PR0511	3/4" EK
1105	1"	8	871105PL0511	3/4" EK
1105	1"	9	871105PS0511	3/4" EK
1105	1"	10	871105PM0511	3/4" EK
1105	1"	11	871105PT0511	3/4" EK
1105	1"	12	871105PU0511	3/4" EK

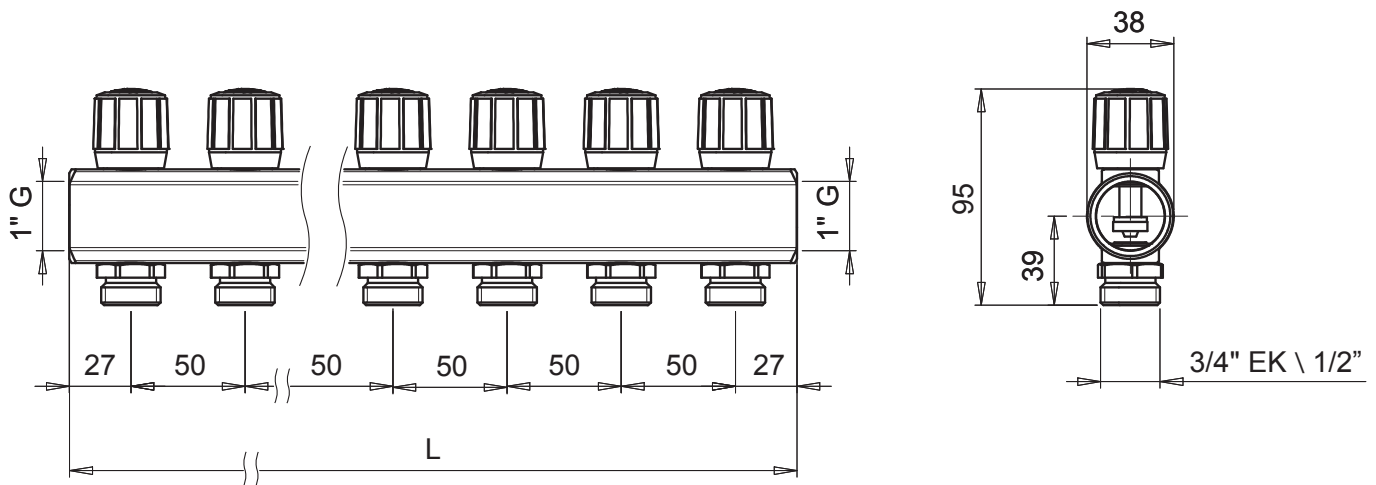
Article	Head connection	Outlets	Code	Connection thread
1105	1"	2	871105ADPG0511	1/2"
1105	1"	3	871105ADPH0511	1/2"
1105	1"	4	871105ADPJ0511	1/2"
1105	1"	5	871105ADPQ0511	1/2"
1105	1"	6	871105ADPK0511	1/2"
1105	1"	7	871105ADPR0511	1/2"
1105	1"	8	871105ADPL0511	1/2"
1105	1"	9	871105ADPS0511	1/2"
1105	1"	10	871105ADPM0511	1/2"
1105	1"	11	871105ADPT0511	1/2"
1105	1"	12	871105ADPU0511	1/2"



Article	Head connection	Outlets	Code	Connection thread
1105	1"	2	871105PG0512	3/4" EK
1105	1"	3	871105PH0512	3/4" EK
1105	1"	4	871105PJ0512	3/4" EK
1105	1"	5	871105PQ0512	3/4" EK
1105	1"	6	871105PK0512	3/4" EK
1105	1"	7	871105PR0512	3/4" EK
1105	1"	8	871105PL0512	3/4" EK
1105	1"	9	871105PS0512	3/4" EK
1105	1"	10	871105PM0512	3/4" EK
1105	1"	11	871105PT0512	3/4" EK
1105	1"	12	871105PU0512	3/4" EK

Article	Head connection	Outlets	Code	Connection thread
1105	1"	2	871105ADPG0512	1/2"
1105	1"	3	871105ADPH0512	1/2"
1105	1"	4	871105ADPJ0512	1/2"
1105	1"	5	871105ADPQ0512	1/2"
1105	1"	6	871105ADPK0512	1/2"
1105	1"	7	871105ADPR0512	1/2"
1105	1"	8	871105ADPL0512	1/2"
1105	1"	9	871105ADPS0512	1/2"
1105	1"	10	871105ADPM0512	1/2"
1105	1"	11	871105ADPT0512	1/2"
1105	1"	12	871105ADPU0512	1/2"

### / Dimensions



Outlets	2	3	4	5	6	7	8	9	10	11	12
L	104	154	204	254	304	354	404	454	504	554	604

### / Technical features

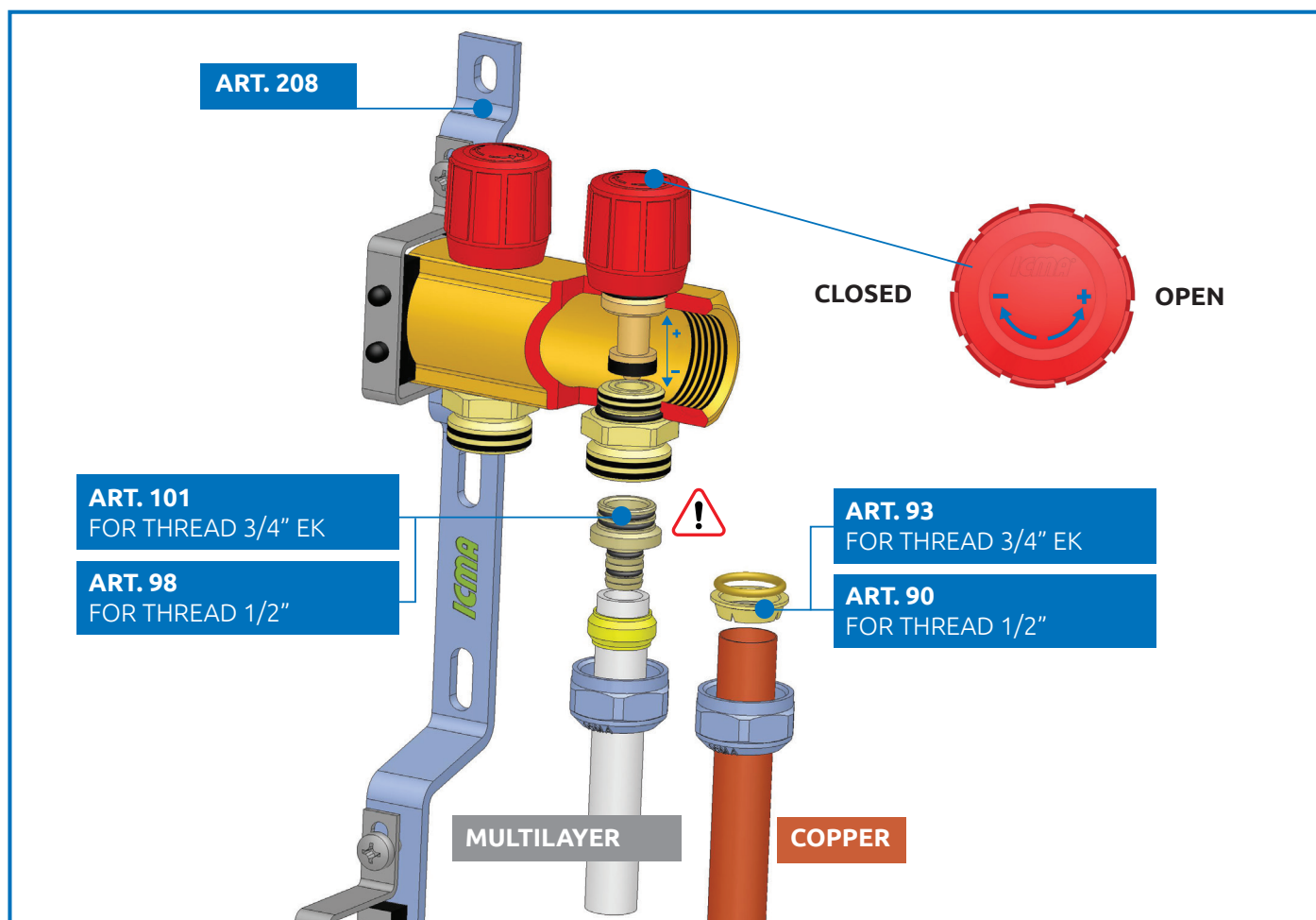
#### MATERIALS

Body:	Brass CW614N - UNI EN 12164
Finish:	Brass
Adjustable nut:	Brass CW614N - UNI EN 12164
Shutter gasket:	EPDM PEROX
O-Ring sealing:	EPDM PEROX
Handle:	Red or blue ABS

#### FUNCTIONING

Working fluid:	Water and glycol solutions
Glycol max percentage:	30%
Max. working pressure:	10 bar
Max. test pressure:	16 bar
Working temperature:	5 ÷ 80°C
Peak temperature for short periods:	95°C

### / Installation accessories



It is recommended to grease the o-rings before insertion.